

# Desdya



Desdya is a bracket lighting system of a discreet classic line, suitable for historical backgrounds as well as for contemporary areas.

It may be installed on a pole (one or two brackets even at different heights) or on a wall.

This is a flexible and customisable system, on which you can mount: luminaires in two different sizes, either with a flat tempered glass lens or a polycarbonate bowl, poles of different heights, and brackets with different projections.

It can be utilized to light streets, squares, parks and gardens of large, medium or small sizes in relation to the light source used.



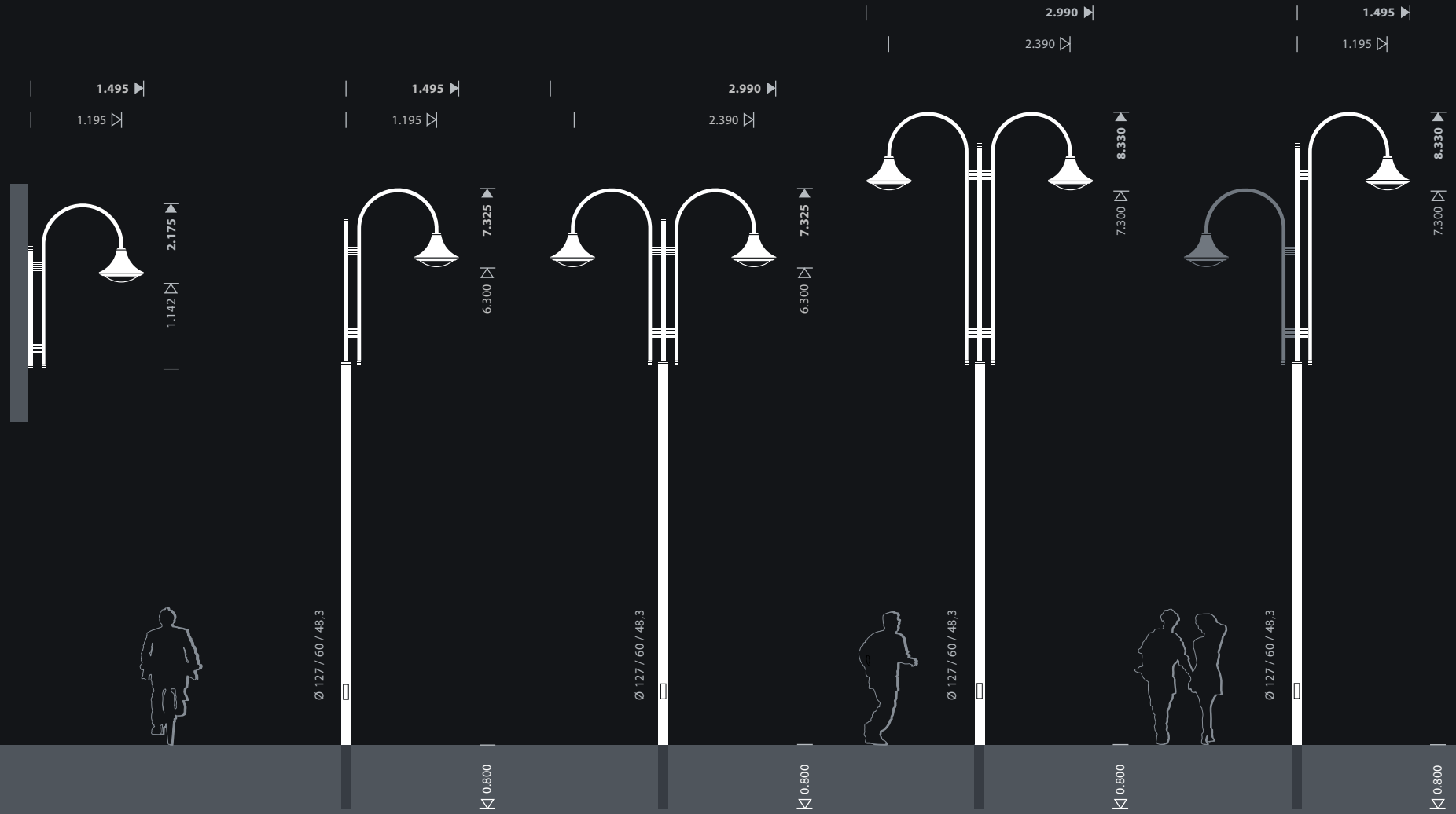
**Des.Mg.01**  
medium sized streets  
historical centres · residential areas

**Des.Pg.01**  
medium sized streets and squares  
historical centres · residential areas

**Des.Pg.02**  
medium sized streets and squares  
historical centres · residential areas

**Des.Pg.03**  
large sized streets and squares  
historical centres · residential areas

**Des.Pg.04-05**  
large sized streets and squares  
historical centres · residential areas

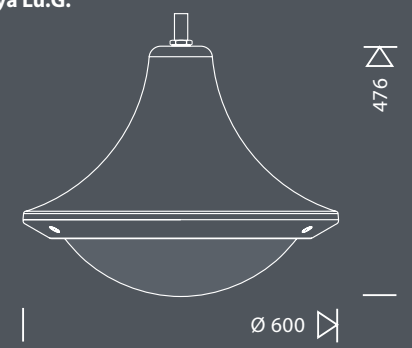


050

# Desdya



## Desdya Lu.G.



## Materials

The Donday line consists of a steel (Fe 510) pole 127 mm in diameter and of a second steel pole 60 mm in diameter inserted into the first one. Its brackets in curved steel tubes (Ø 48,3 mm) are connected to the pole with a drawn aluminium element, inside which the electric cables are inserted. This luminaire is in pressure die-cast aluminium. Bolts and nuts are in stainless steel.

## Finishing

The steel elements are hot galvanized, brushed, smoothed and painted with a first coat (primer); then the poles are sprayed with a finishing coat in the colour required by the purchaser. Brackets and supports are dipped for a first coat of alkyl enamel, followed by a second phase for aerosol spraying and oven baking. The aluminium elements undergo a hot phospho-degreasing treatment, oven drying, painting by pulverization in a spray booth and oven baking again to allow proper polymer reticulation of the paint.

# Desdya

The luminaire mounted on the Desdya system for medium and large sized streets and squares, historical centres and residential areas, is in pressure die-cast aluminium and is in conformity with CEI regulations. Its reflector has roadway features; it is in extra-pure anodised aluminium and with such a shape as to realize an asymmetric distribution of the luminous flux, mainly in a traverse way. It is provided with an extractable bayonet shutter in plastic material, to allow lamp replacements, with heat-resistant rubber gaskets, assuring protection of the optical compartment.

A disconnecting switch allows you to turn off the power when you open it, so that maintenance as well as replacement of lamps or other elements can be effected safely. In fact the harness components (igniter, reactor, condenser, etc.) may be replaced individually. This system is available in an injection moulding version with a polycarbonate bowl (according to catalogue) or with flat tempered glass lens.

**Total height 476 mm**

**Total width Ø600 mm**

**Weight (power pack excluded) 9 kg**

## Lamp assortment



current



IP 66

upon request



K 4000	Metal Halide
	70W E 27
	100W E 40
	150W E 40
	250W E 40

K 2000	Sodium Vapour
	70W E 27
	100W E 40
	150W E 40
	250W E 40

K 3000	Mastercolor
	70W E 27
	100W E 40
	150W E 40



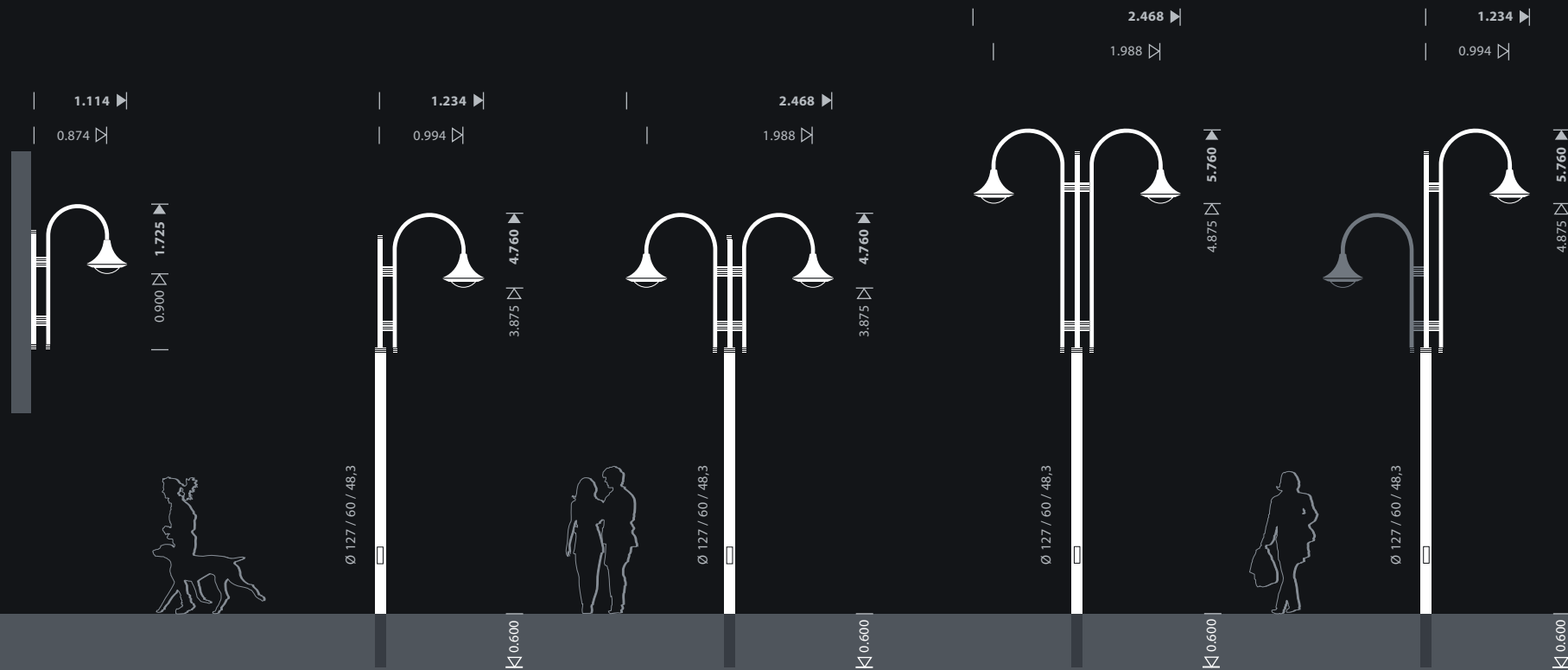
**Des.Mp.01**  
city pedestrian areas  
historical centres · residential areas

**Des.Pp.01**  
pedestrian areas · parks and gardens  
historical centres · residential areas

**Des.Pp.02**  
pedestrian areas · parks and gardens  
historical centres · residential areas

**Des.Pp.03**  
small sized streets and squares  
historical centres · residential areas

**Des.Pp.04-05**  
small sized streets and squares  
historical centres · residential areas



052

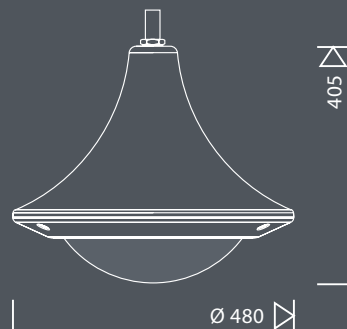
# Desdya

## System features

The Desdya lighting system can satisfy a large range of needs. Various applications are available for the different heights of the poles, the different bracket projections and the two sizes of its luminaires.

A smaller lighting fitting with different features, suitable to light small-sized pedestrian areas, parks and gardens, streets and squares can be mounted instead of the luminaire for higher poles, more suitable to light large-sized streets and squares in historical centres as well as in residential areas.

## Desdya Lu.P.



## Customization

Two different types of lenses can be mounted on this luminaire: either an injection moulded polycarbonate bowl or a flat tempered glass lens.

The terminal elements of poles and brackets may be lighted by a LED from inside on demand.

## Desdya Lu.P. (example of customisation)



# Desdya

The luminaire mounted on the Desdya system for small sized pedestrian areas, parks and gardens streets and squares and for historical centres and residential areas, is in pressure die-cast aluminium and is in conformity with CEI regulations. Its reflector has roadway features; it is in extra-pure anodised aluminium and with a shape permitting to realize an asymmetric distribution of the luminous flux, mainly in a traverse way. It is provided with an extractable bayonet shutter in plastic material, to allow lamp replacements, with heat-resistant rubber gaskets, assuring protection of the optical compartment. A disconnecting switch allows you to turn off the power when you open it, so that maintenance as well as replacements of lamps or other elements can be effected safely. The harness components (igniter, reactor, condenser, etc.) may be replaced individually. This system is available in a version with an injection-moulded polycarbonate bowl (according to catalogue) or with flat tempered glass lens.

**Total height 405 mm**

**Total width Ø480 mm**

**Weight (power pack excluded) 7 kg**

## Lamp assortment



current



IP 66

upon request



**K 4000**

### Metal Halide

70W	E 27
100W	E 40
150W	E 40

**K 2000**

### Sodium Vapour

70W	E 27
100W	E 40
150W	E 40

**K 3000**

### Mastercolor

70W	E 27
100W	E 40
150W	E 40

